

HSF

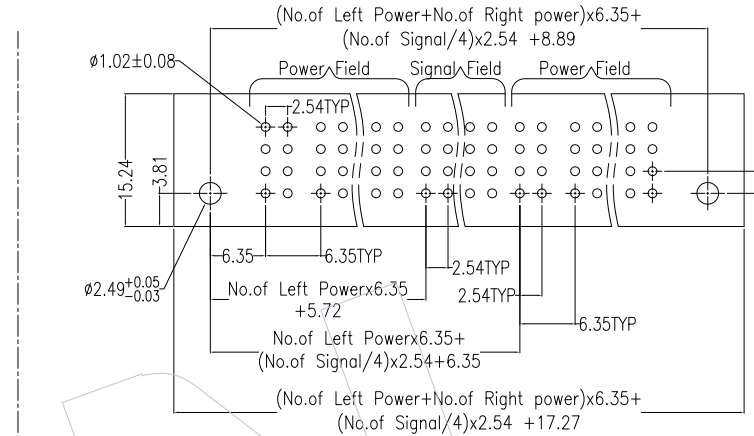
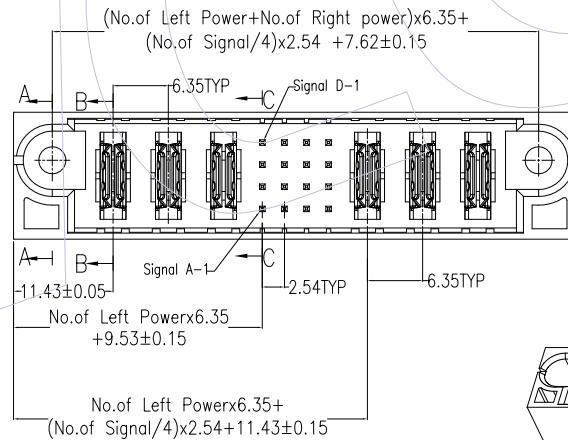
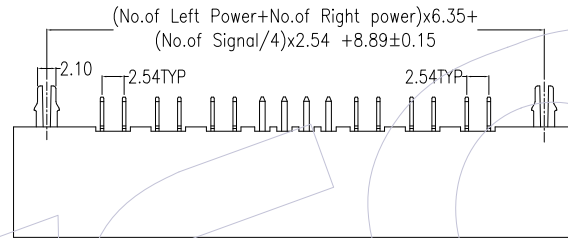
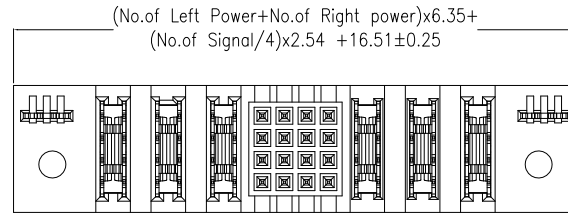
NOTES:

1. Insulator material: PA9T+G.F, UL94 V-0;
2. Terminal material: Copper Alloy;
Terminal Plating: Au/Sn Plated Over Nickel ;
3. Rated Voltage: 50V;
4. Rated Current: Power 30A; Signal 2.5A;
5. Contact Resistance:
Power 0.7mΩ Max; Signal 2010mΩ Max;
6. Insulation Resistance: DC500V
Power 10000MΩ Min;Signal 500MΩ Min;
7. Insulation Withstand Voltage:
Power 2500VAC/1min; Signal 1000VAC/1min ;
8. Durability :200 cycling;
9. Operation Temperature:-20°C to +105°C;

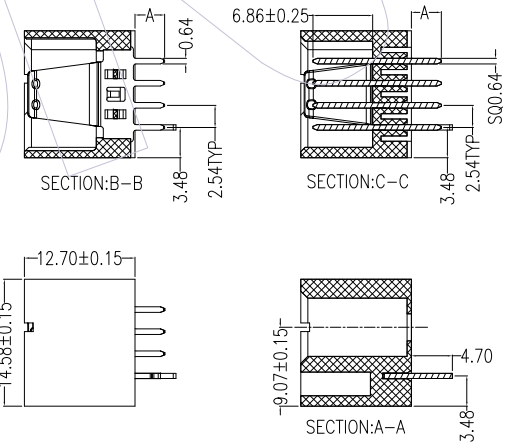
Ordering Information:

PMS XX A - XX - XXX - XX A M X1

- Contact Plated:
S3=10u" Gold /Tin
S4=15u" Gold /Tin
S5=30u" Gold /Tin
- No. Left Power:
05=5Pin
20=20Pin
- No. Signal:
004=4Pin
148=148Pin
- No. Right Power:
05=5Pin
20=20Pin
- Fixed Mode:
M: Solder TO Board
K: Press Fit
N: No fixed type
- TAIL OPTIONS:
A=3.43mm
B=2.29mm
C=4.19mm
D=3.91mm



Recommended P.C.B Layout(Top Side)
(PCB BOARD TOLERANCE±0.05)



规格	尺寸(A)
1	3.43 ^{+0.38} _{-0.25}
2	4.19 ^{+0.38} _{-0.25}

REV	DATE	MODIFICATION DESCRIPTION	CHANGE	OPERATION	DRAW	DATE	SCALE	FIT	PART NO.
				X.X ±0.40	Houfu Peng	16/11/01	UNIT	mm	PMSXXA-XX-XXX-XX XM1
				X.XX ±0.25	CHECK	DATE	SIZE	inch	
				X.XXX ±0.15	APPROVE	DATE	SHEET	A4	
				Angle ± 3'			PROJ.	1/1	TITLE: PSP A TYPE 180° MALE DIP
				DIM TOL					Customer NO.

WCON
Http: www.wcon.com

WCON-Dongguan Tel: +86 769 85358920 Fax: +86 769 85358915 E-mail: sales@wcon.com
 WCON-Kunshan Tel: +86 512 57468408 Fax: +86 512 57468468 E-mail: salesks@wcon.com