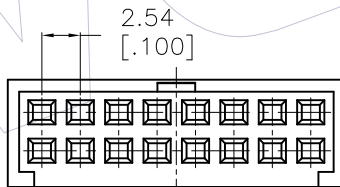
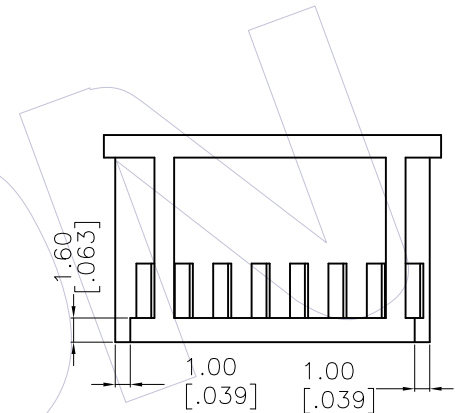
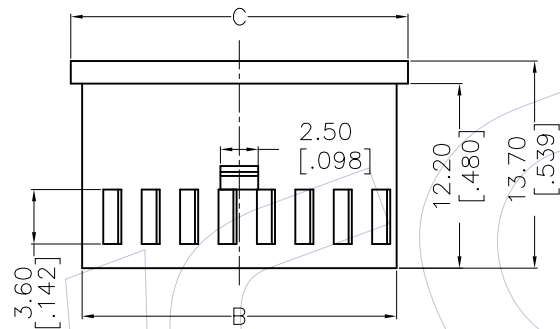
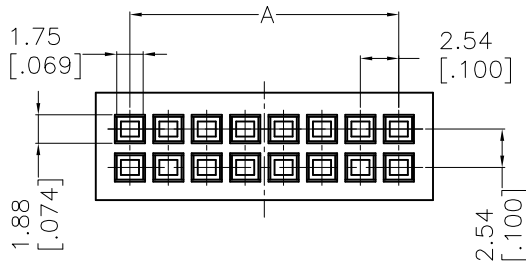


# HSF

**NOTES:**

Current Rating:3.0A AMP  
 Contact Resistance:20milliohm Max  
 Withstand Voltage:1000V AC/Minute  
 Insulation Resistance:1000Megohm Min  
 Operation Temperature:-25°C to +85°C

Housing Material:PBT+30%GF Black(UL94V-0)  
 Contact Material:Brass  
 Contact plating:Sn over Ni Plating



## Ordering Information

WF2548-2 H XX B 0 1

Colour:  
B:Black

2X22	WF2548-2H22B01	53.34[2.100]	56.4[2.220]	57.9[2.280]
2X18	WF2548-2H18B01	43.18[1.700]	46.24[1.820]	47.8[1.882]
2X15	WF2548-2H15B01	35.56[1.400]	38.62[1.520]	40.1[1.579]
2X12	WF2548-2H12B01	27.94[1.100]	31[1.220]	32.5[1.280]
2X9	WF2548-2H09B01	20.32[.800]	23.38[.920]	24.9[.980]
2X8	WF2548-2H08B01	17.78[.700]	20.84[.820]	22.3[.878]
2X6	WF2548-2H06B01	12.7[.500]	15.76[.620]	17.2[.677]
2X5	WF2548-2H05B01	10.16[.400]	13.22[.520]	14.7[.579]
2X4	WF2548-2H04B01	7.62[.300]	10.68[.420]	12.2[.480]
2X3	WF2548-2H03B01	5.08[.200]	8.14[.320]	9.7[.382]
Circuit	Part No.	A	B	C
		Dimension		

OPERATION		DRAW		DATE		SCALE		PART NO.	
	X.X	±0.40	DING		2017/05/16	1:1		WF2548-2HXXB01	
A1	2017/05/16	MODIFY	CHECK		DATE	UNIT	mm	TITLE:	
A0	2012/11/16	NEW	APPROVE		DATE	SIZE	inch	2.54mm Double Row Housing	
REV	DATE	MODIFICATION DESCRIPTION	CHANGE		DATE	SHEET	页次	Customer NO.	
						PROJ.	Φ		

# WCON

Http: www.wcon.com

WCON-Dongguan  
 Tel: +86 769 85358920  
 Fax: +86 769 85358915  
 E-mail: sales@wcon.com

WCON-Kunshan  
 Tel: +86 512 57468408  
 Fax: +86 512 57468468  
 E-mail: salesks@wcon.com