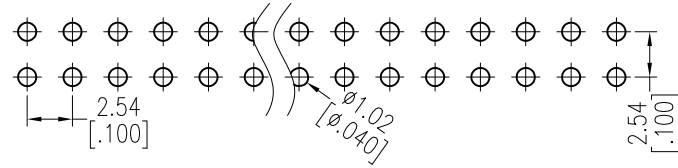


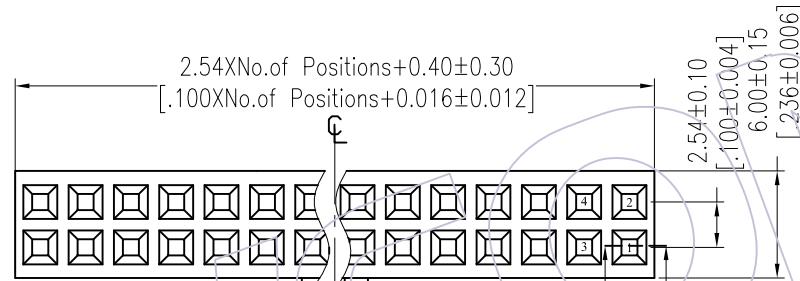
HSF

Recommended P.C.B Layout(Top Side)
(PCB BOARD TOLERANCE±0.05)



NOTES:
Current Rating: 3.0AMP
Contact Resistance: 20mΩ Max
Withstand Voltage: 1000V AC/DC
Insulation Resistance: 1000MΩ Min
Operation Temperature: -40°C to +105°C

Contact Material: Phosphor Bronze or Brass
Contact plating: Au Or Sn over Ni
Insulator Material: PA9T+33%G.F UL94V-0(Std)
Or PBT+30%G.F UL94V-0

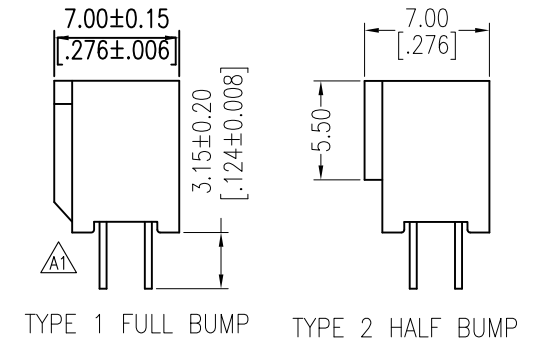
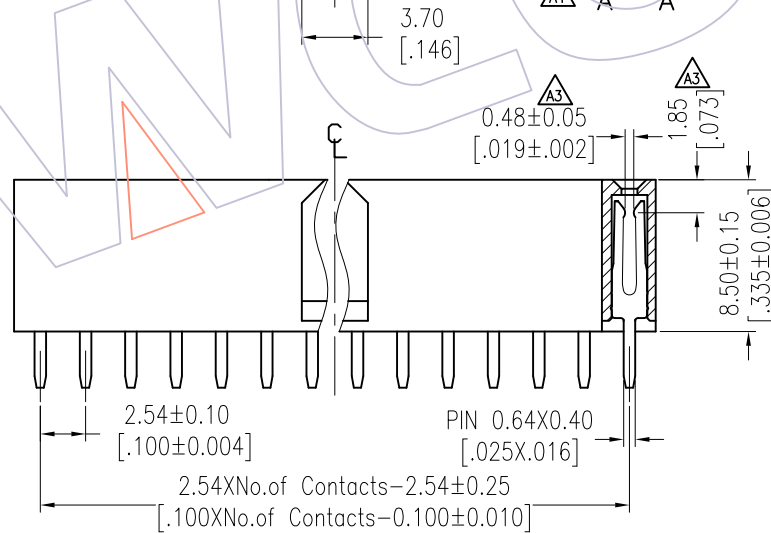


TITLE	PART NO.
TYPE 1	2185-2XXSXXXYNA3
TYPE 2	2185-2XXSXXXYNA4

Ordering Information

2185 - 2 XX S XX X Y N A X

No. of Pins per ROW: 02-27PIN	Contact Plating: G0=Gold Flash G3=10μ"Gold G4=15μ"Gold G5=30μ"Gold S0=Gold Flash/Tin S3=10μ"Gold/Tin S4=15μ"Gold/Tin S5=30μ"Gold/Tin SN=Tin SM=Matte Tin	Insulator: A=PBT C=PA9T	Packing: T=Tube A=Tray 3=TYPE 1 4=TYPE 2	Series No.
-------------------------------	--	-------------------------------	--	------------



Item	Pitch	Mating
Standard	2.54	1115/1120/1125
Alternate		

REV	DATE	MODIFICATION DESCRIPTION	CHANGE	OPERATION	DRAW	DATE	SCALE	FIT	PART NO.
A4	2017/07/12	Modify		OPERATION	Surong Xu	2017/07/12	UNIT	mm	SEE TABLE
A3	2016/08/23	ADD THE DIM.		x.X ±0.40	CHECK		SIZE	A4	TITLE: FH2.54mm DUAL ROW 180°DIP H=8.50 WITH BUMP
A2	2015/08/27	Modify		x.XX ±0.25	APPROVE		SHEET	1/1	Customer NO.
A0	2012/08/15	NEW	-----	x.XXX ±0.15			PROJ.		
				Angle ± 3'					
				DIM TOL					

WCON
Http: www.wcon.com

WCON-Dongguan
Tel: +86 769 85358920
Fax: +86 769 85358915
E-mail: sales@wcon.com

WCON-Kunshan
Tel: +86 512 57468408
Fax: +86 512 57468468
E-mail: salesks@wcon.com