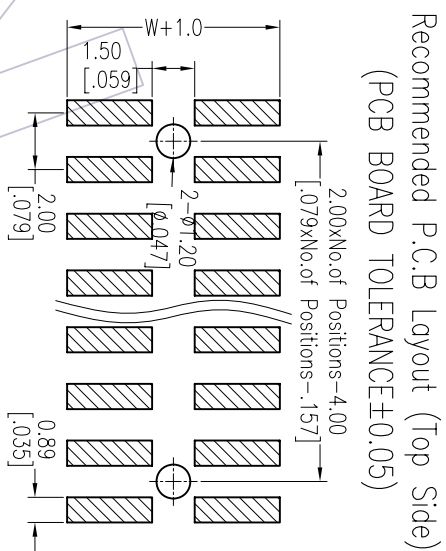
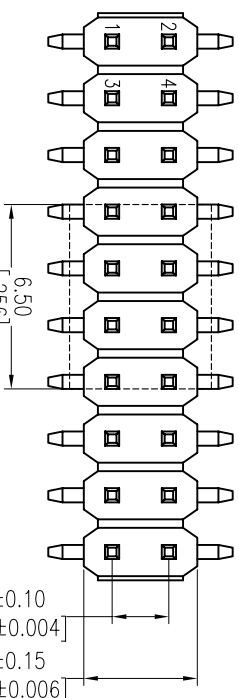


# HSF

NOTES:  
 Rated Current: 2.0AMP.  
 Contact Resistance: 20mΩ Max.  
 Withstand Voltage: 500V AC/DC  
 Insulation Resistance: 1000MΩ Min.  
 Operation Temperature: -40°C to +105°C

Contact Material: Brass  
 Contact Plating: Au or Sn Over Ni  
 Insulator Material: PA9T+30%G.F UL94V-0 BK

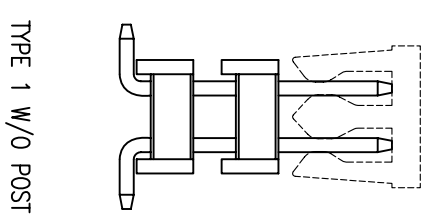
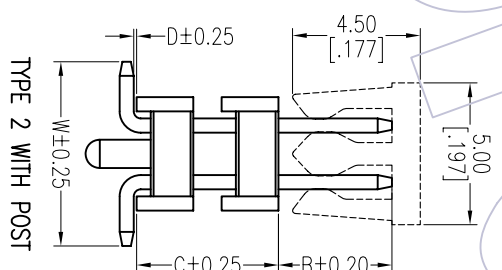
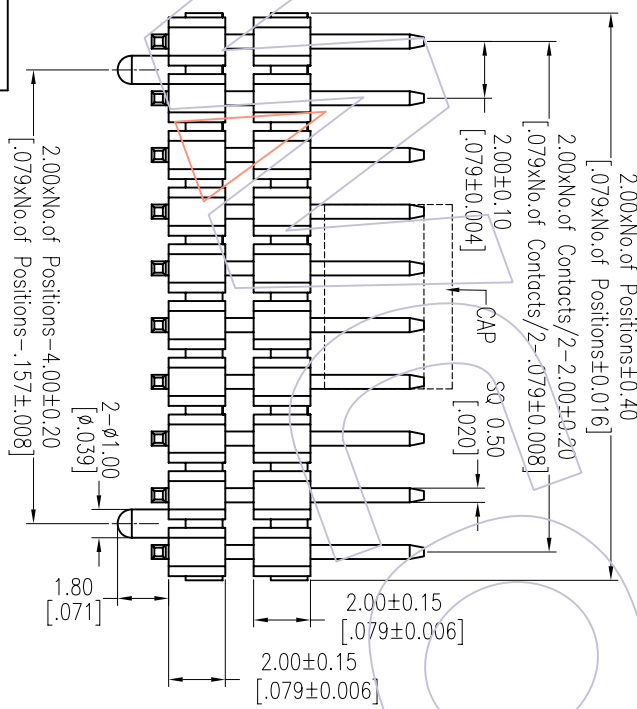


## Ordering Information

1220-22 XX XX M XXX X X

No. of Pins Contact Plating Pin Length  
 Per Row: 02-40 G0=Gold Flash L=B+C+D- $\frac{W}{2}$   
 G3=10u"Gold Standard:  
 G4=15u"Gold  
 G5=30u"Gold  
 S0=Gold Flash/Tin  
 S3=10u"Gold/Tin  
 S4=15u"Gold/Tin  
 S5=30u"Gold/Tin

Series No.  
 1=Type 1  
 2=Type 2  
 .....  
 Packing  
 T=Tube  
 P=Tube+CAP  
 R=Tape&Reel+CAP



Item	Pin Length	W	D	B	C	Mating
Standard	---	6.50	0.10	4.00	---	2240 2243 2263 2272
Alternate						

REV	DATE	MODIFICATION DESCRIPTION	CHANGE	OPERATION	DRAW	DATE	SCALE	PART NO.	TITLE:	Customer NO.
A0	2012/04/26	NEW	---	XX	<i>William Diao</i>	2012.04.26	mm	1220-22XXXXMXXXXX	PH2.00 DUAL ROW DOUBLE PLASTIC SMT H=2.0	
REV	DATE	MODIFICATION DESCRIPTION	CHANGE	OPERATION	DRAW	DATE	SCALE	PART NO.	TITLE:	Customer NO.
				XX	<i>William Diao</i>	2012.04.26	mm	1220-22XXXXMXXXXX	PH2.00 DUAL ROW DOUBLE PLASTIC SMT H=2.0	
				X.XXX	CHECK	DATE	UNIT			
				X.XXX	CHECK	DATE	SIZE			
				Angle	APPROVE	DATE	SHEET			
				± 3'	APPROVE	DATE	1/1			
				DIM	APPROVE	DATE	PROJ.			
				TOL	APPROVE	DATE	PROJ.			

# WCON

Http: [www.wcon.com](http://www.wcon.com)

WCON-Dongguan  
 Tel: +86 769 85358920  
 Fax: +86 769 85358915  
 E-mail: [sales@wcon.com](mailto:sales@wcon.com)

WCON-Kunshan  
 Tel: +86 512 57468408  
 Fax: +86 512 57468468  
 E-mail: [sales@wcon.com](mailto:sales@wcon.com)